



DECORATIVE LAMPS

Models DL-400, -500, -600, -700, -725, -750, -760, -775, -800
DLH-400, -500, -600, -700, -725, -750, -760, -775, -800

Hatco Decorative Lamps provide radiant heat to briefly hold food warm at kitchen work areas, waitress pickup stations, or customer serving points, while enhancing your décor. Versatile enough for almost any location, the range of lights are available with a selection of unlimited personalizing choices. In addition to food warming, configurations for lighting (Luminaire) is offered as well.

FLEXIBILITY

The Hatco DL series offers great flexibility with standard and high watt bulbs, or lighting only applications, nine lamp shade styles, eight different mounting arrangements, four switch options, and twenty colors to customize your operation.

QUALITY

The following features assure the finest performance for years to come.

- Luminaire, Standard and High Watt bulbs available (bulb not included in unit price).
- Models available in nine lamp shade styles.
- Eight different mounting arrangements to choose from.
- Four switch options.
- Available in seven *Designer* colors: Warm Red, Black, Gray Granite, White Granite, Navy Blue, Hunter Green, Antique Copper.
- Available in seven gloss finishes: Smooth White, Gleaming Gold, Glossy Gray, Bold Black, Radiant Red (**lampshade only**), Brilliant Blue (**lampshade only**), Clear Brushed Metal (**lampshade only**) (Special processing required)
- Available in six plated finishes: Bright Brass, Bright Nickel, Bright Copper, Antique Brass, Antique Nickel, Antique Bronze (Special processing required)
- Available for food holding and display, or lighting only applications.

NOTE: Decorative Lamps (DL and DLH Series) are non-returnable.



Now you can develop your own Hatco Decorative Lamp solutions with our online lamp configurator.

Just visit
www.hatcocorp.com
and click on "Build a Lamp".



Model DL-500-SU
in optional
Designer color



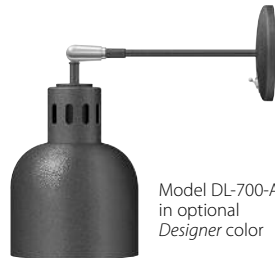
Model DLH-800-STR
high watt, in optional
gloss finish, with
remote switch



Model DL-600-SL
in optional
Gloss finish



Model DL-400-PU
in optional
Designer color



Model DL-700-AU
in optional
Designer color



Model DL-725-SU
with optional
plated finish



Model DLH-775-RR
with optional
plated finish



Model DL-760-SL
in optional *Designer* color



Model DL-750-CL
in optional
gloss finish



HATCO CORPORATION P.O. Box 340500 Milwaukee, WI 53234-0500 U.S.A.
(800) 558-0607 • (414) 671-6350 • Fax (800) 543-7521 • Int'l. Fax (414) 671-3976
www.hatcocorp.com • E-mail: equipsales@hatcocorp.com

Form No. DL Spec Sheet

Printed in U.S.A.
October 2013



DECORATIVE LAMPS

Models DL-400, -500, -600, -700, -725, -750, -760, -775, -800
DLH-400, -500, -600, -700, -725, -750, -760, -775, -800

For ordering instructions, please refer to the six steps in the Hatco Price List, go online at www.hatcocorp.com and click on "Build A Lamp" or click

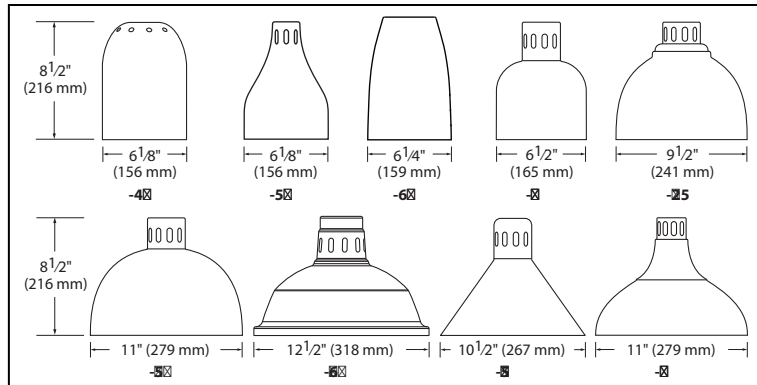
on the video library to watch "Decorator Lamp Configurator". This will best help you in choosing the correct configuration for your specific needs

1-Wattages:

Model [▲]	Maximum Watt Bulb (Not Included)	Volts [*]	Shipping Weight
DL (Luminaire)	200	120	6-10 lbs. (3-6 kg) ▼
DL (Standard)	250	120	6-10 lbs. (3-6 kg) ▼
DLH (High Watt)	375	120	6-10 lbs. (3-6 kg) ▼

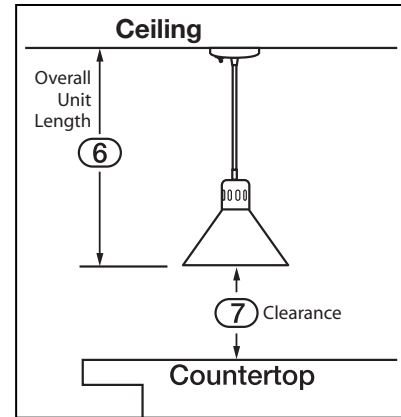
▲ Not field convertible. * Single phase. ▼ Depending on components.

2 and 3-SHADE STYLES & DIMENSIONS (See colors in options below):



6-OVERALL UNIT LENGTH

For C, CT, S or ST Mounts from ceiling to bottom of warmer lamp shade. For A or P Mounts from center of shade to wall plus vertical shade length (see line art in Mounting Styles). For clearances, see Clearance Requirements in the Hatco Price List Ordering Instructions.



4-MOUNTING STYLES

A Mount
Rigid Mount to canopy with pivot. Specify horizontal stem length from 7" to 20" (178-508 mm). Unit length is 17" to 30" (432-762 mm).

P Mount
Rigid Mount to canopy with pivot. Specify overall length* from 17" to 71" (432-1803 mm).

C Mount
Cord Mount to canopy. Specify overall length from 17" (432 mm) to any length.

CT Mount*
Cord Mount to track adapter. Specify overall length from 17" (432 mm) to any length.

RT Mount*
Adjustable Cord Mount to track adapter. Adjusts from 33.38" to 71.88" (848-1826 mm).

R Mount
Adjustable Cord Mount. Adjusts from 31" to 69.5" (787-1765 mm).

S Mount
Rigid Mount to canopy. Specify overall length from 14" to 71" (356-1803 mm).

ST Mount*
Rigid Mount to track adapter. Specify overall length from 17" to 71" (432-1803 mm).

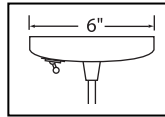
* Overall length from pivot to bottom of lamp shade.
* NOTE: Lamp shade diameter and wattage may limit the number of lamps per track. To assure warranty coverage, do not install track systems in damp or wet locations (including above steam tables).

5-SWITCH LOCATIONS

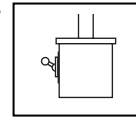
- U – Upper ▼
- L – Lower ▼
- R – Remote ♦
- N – None (supplied by installer)

- ▼ Not available on high watt models.
- ~ Not available on track mounts or R mounting style.
- ♦ Not available on A mounting style.
- ◆ Up to seven 250W lamps, or five 375W lamps maximum per remote switch.

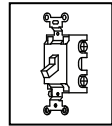
Upper Switch



Lower Switch



Remote Switch
(Accommodates 16 amps)



OPTIONS (NOT FOR RETROFIT)

- Designer Colors: Warm Red, Black, Gray Granite, White Granite, Navy Blue, Hunter Green, Antique Copper
- Gloss Finishes: Smooth White, Gleaming Gold, Glossy Gray, Bold Black (standard), Radiant Red (Lamp shade only), Brilliant Blue (Lamp shade only), Clear Brushed Metal (Lamp shade only)
- Plated Finishes: Bright Brass, Bright Nickel, Bright Copper, Antique Nickel, Antique Brass, Antique Bronze
- White Cord (Black is standard) (C and R mounts only)
- Luminaire Lighting (200W bulb maximum – not included)
- Extended Electrical Leads (SU, SL, or SR mount units only)

ACCESSORIES

- 60W Coated Clear Bulb for Luminaire models only
- 250W Uncoated and Coated Clear Bulbs
- 250W Uncoated and Coated Red Bulbs
- 375W Uncoated and Coated Clear Bulbs (120V DLH models only)
- 375W Uncoated and Coated Red Bulbs (120V DLH models only)
- 16 Amp Toggle Switch
- Track Mount Bar (Specify 4', 8', or 12' (1219, 2438, or 3658 mm) track length and color option of black or white for track and adapter) (120V only) (Maximum 1920 watts per any length track)
- Additional Track Installation and Modification Kit (Specify color option of black or white)

PRODUCT SPECS

Decorative Lamp

The Decorative Lamp shall be a Hatco Model ... as manufactured by the Hatco Corporation, Milwaukee, WI 53234 U.S.A.

With 24/7 parts and service assistance (U.S. and Canada only), the Decorative

Lamp shall be rated at ... watts, ... volts and be ... inches (millimeters) in overall length. It shall consist of a vented lamp shade and mounting. Switch locations can be upper, lower, remote or supplied by installer. Bulb options are uncoated or coated, clear or red, 250W (DL models) or 375W (DLH models).

HATCO CORPORATION P.O. Box 340500 Milwaukee, WI 53234-0500 U.S.A. • (800) 558-0607 • (414) 671-6350
Fax (800) 543-7521 • Int'l. Fax (414) 671-3976 • www.hatcocorp.com • E-mail: equipsales@hatcocorp.com